



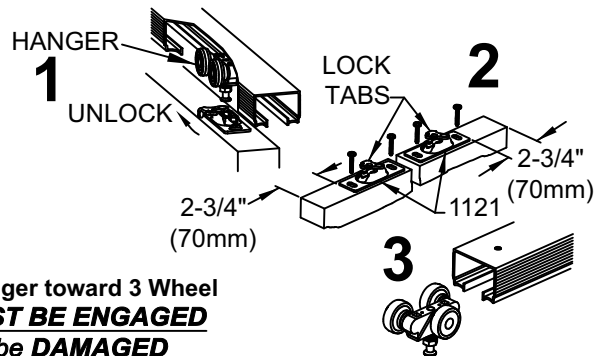
INSTRUCTIONS

AFW 3 WHEEL SOFT CLOSE

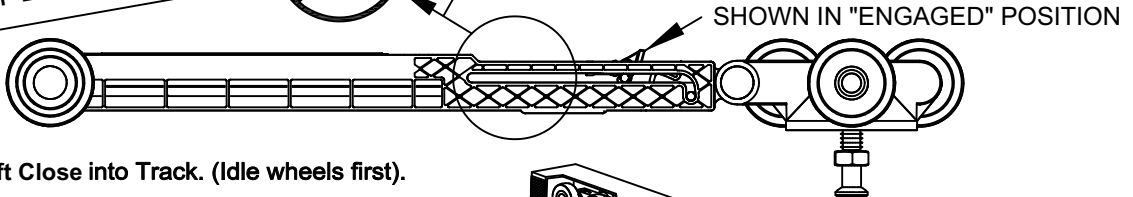
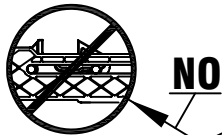
3 WHEEL SOFT CLOSE INSTRUCTIONS

Following steps are for soft close.

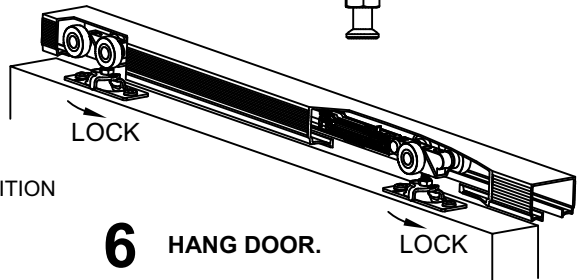
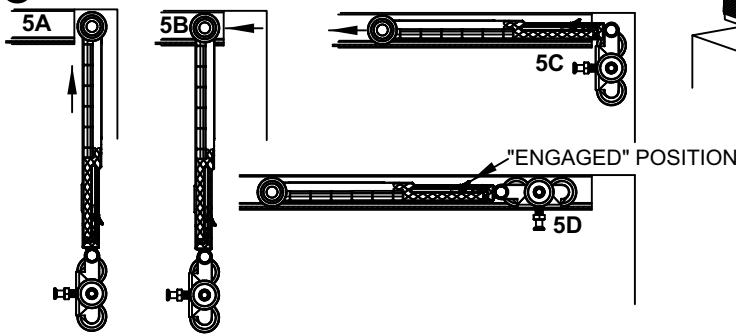
- 1 IF FRAME is already installed, disconnect Hangers from Door Plates and remove door. Remove both Hangers from track-Remove Door Plates from door.
- 2 ATTACH Door Plates 2-3/4" (70mm) from door edge.
- 3 INSERT Ball Bearing Hanger Wheel assembly into Track.
- 4 Engage Soft Close Dampener by pushing Dampener trigger toward 3 Wheel Roller. ***This step is very important. DAMPENER MUST BE ENGAGED or soft close will not work, Soft Close Dampener may be DAMAGED if installed incorrectly. Door will have to be removed and installation of Soft Close will have to begin again.***



**IMPORTANT
MUST BE ENGAGED**



- 5 INSERT Soft Close into Track. (Idle wheels first).



- 7 SLIDE door away from end of track (check to make sure all track screws are flat against track) and install Actuator Arm into track, with back of Actuator Arm 2-1/4" (57mm) from Jamb. HAND TIGHTEN (do not use power drill) Actuator Arm on track Check to make sure Arm stayed straight in track. Slowly close door, checking to make sure door touches Jamb, if not. Slide door away from Jamb and readjust Actuator Arm. Slowly close door again, checking to make sure soft close is working properly. Once confirmed, begin using door normally.

