

Commercial Grade Pocket Door Frame
for 1" to 13/8" Thick Door to 200 lbs. (2" x 4" Stud Wall)
(for 1 3/4" use KD134KIT)

Installation Instructions
Pocket Door Frame

Cutting Instructions-3 Wheel Hardware Pocket Door Frame Header
KD Pocket Door Frames are marked for cutting to shorter lengths. See cutting instructions below.

1 Remove Adjustable End Bracket.

2/8	=	32"	[81cm]
2/6	=	30"	[76cm]
2/4	=	28"	[71cm]
2/0	=	24"	[61cm]

ADJUSTABLE END BRACKET

2 Cut through WOOD part of header only, on desired door size marking.

DO NOT CUT TRACK

3 Turn Header over and cut Track 1-5/8" (42mm) shorter than wood Header.

1-5/8" [42mm]

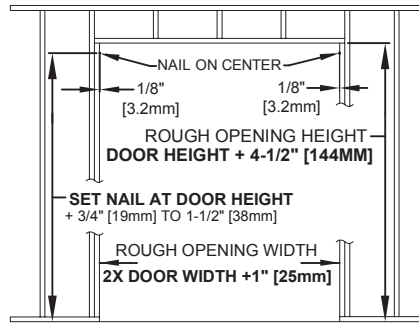
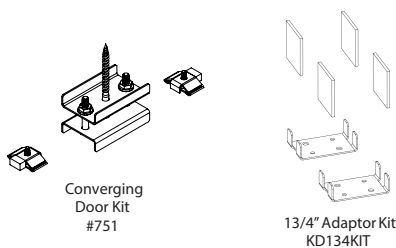
4 Replace Adjustable End Bracket on new cut end of header.

5 Turn Header on side and cut 3/4" (19mm) Head Trim Board ONLY at proper mark. Remove cut off end and discard.

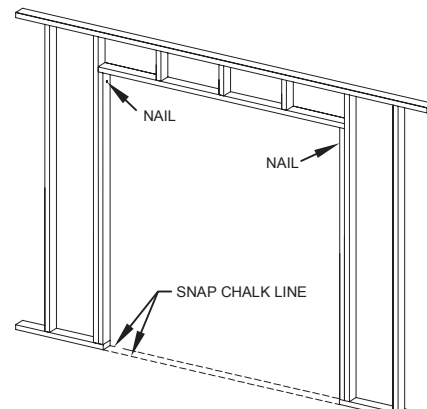
DO NOT CUT TRACK

6 Turn Header and cut off other side.

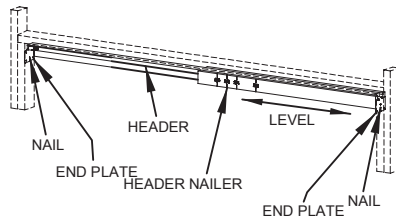
Pocket Door Accessories



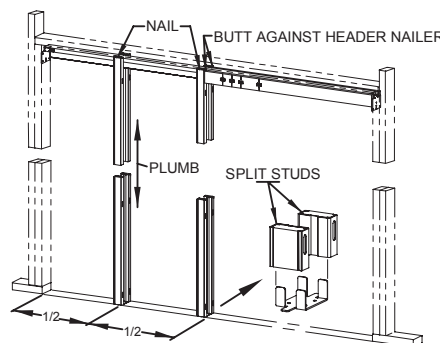
1 Header must be SQUARE and PLUMB with studs and LEVEL. Mark each side jamb and drive a flat head nail on centerline, leaving 1/8" (3.2mm) protruding. (Frame header end plates will rest on these nails.)



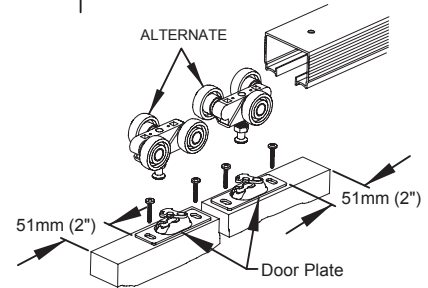
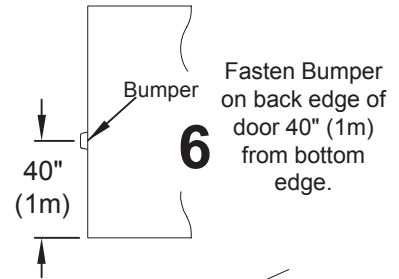
2 Snap two chalk lines on floor even with side jambs as shown.



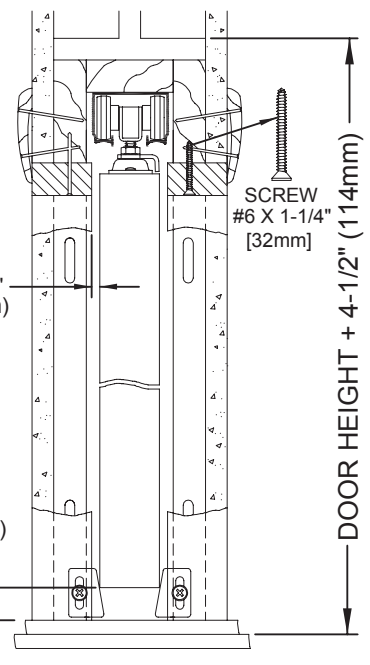
3 Slip slots in Frame Header End Plates over nails in side jambs.



4 Slip fingers on floor Plates into the reinforcing strips of Split Studs as shown. Butt Split Studs against header nailer strips and nail in place.



7 Attach door plate to top of door 2" (50mm) from each edge with locking tabs on same side. Insert rollers onto track. Mount door by locating door plate under adjusting bolt of rollers. Lift door and push bolt into door plate. Lock locking tab.



8 Fasten Guides on finished split jambs at door bottom so door is held in center of opening without binding.