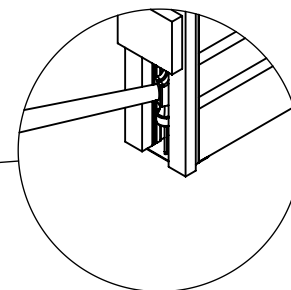
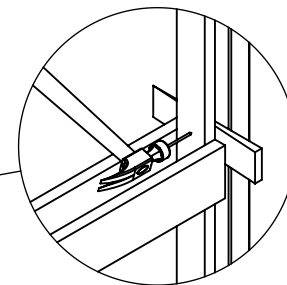
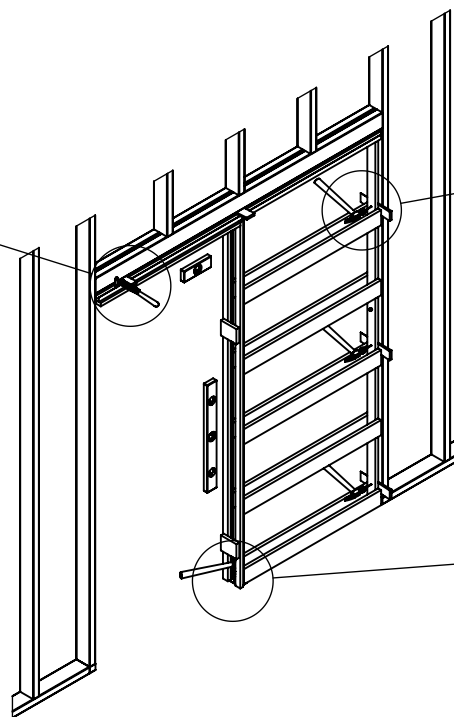
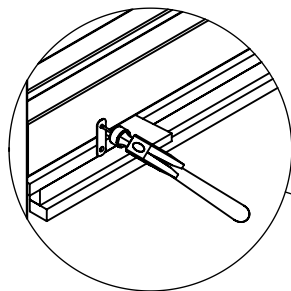
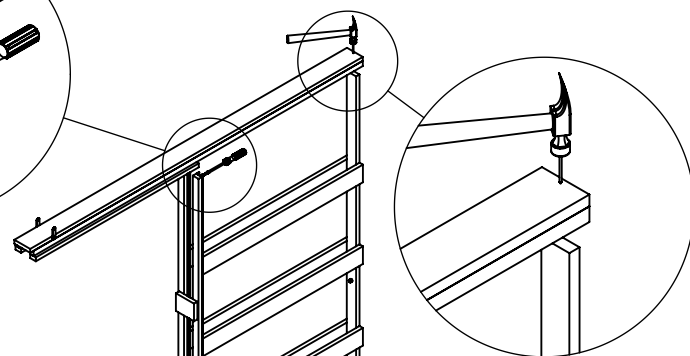
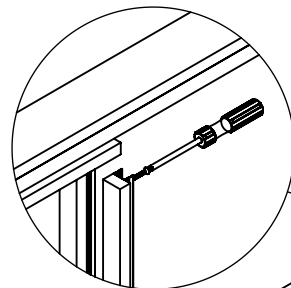
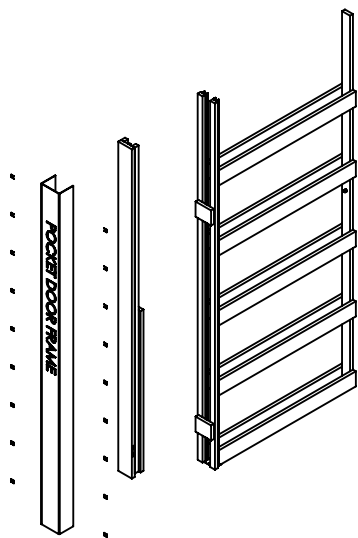
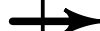
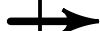
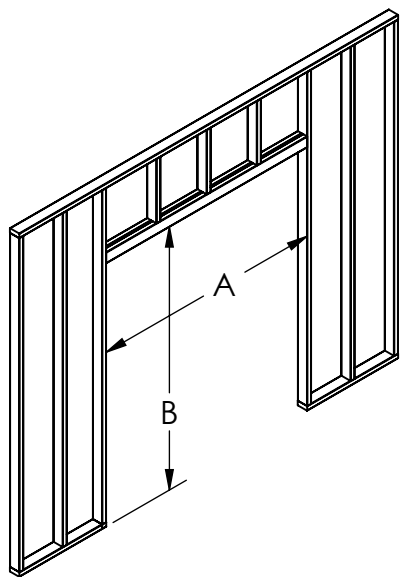


BUILT UP POCKET INSTRUCTIONS

FRAME THE ROUGH OPENING - From finish floor to the rough header(B), the opening (for a 80in [203.2cm] door) should be a minimum of 84in [213.4cm] high. For the width (A) multiply the door size by 2 and add 2in [5.08cm].

EXAMPLE -For a 30in [76.2cm] door the rough opening width is:
 $(30\text{in} \times 2) + 2\text{in} = 62\text{in}$
 $[(76.2\text{cm} \times 2) + 5.08\text{cm} = 157.48\text{cm}]$



TOOLS NEEDED

