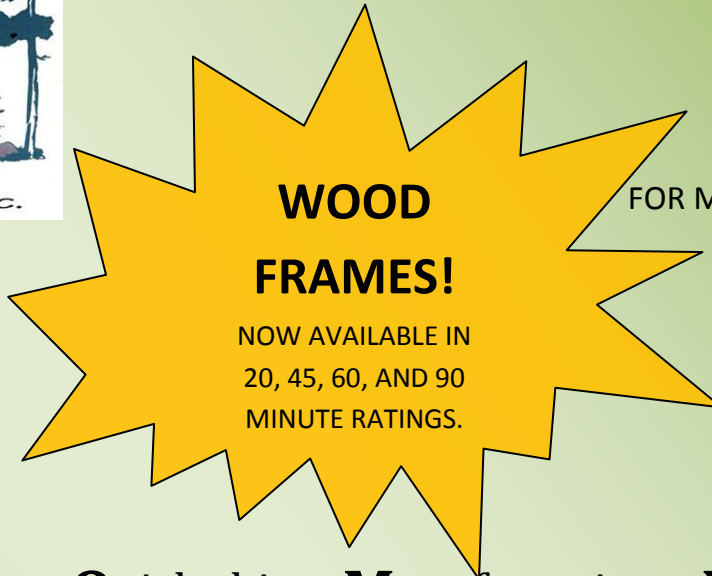




A & F WOOD PRODUCTS
 5665 STERLING DRIVE
 HOWELL, MI 48843
 TEL. 1-517-545-5811
 TOLL FREE. 1-800-367-3293
 FAX. 1-517-545-5633
 FOR MORE INFO VISIT US ONLINE
 @ WWW.AFWOOD.COM



Quick ship – Manufacturing – Warehouse Center

**A & F
 WOOD
 PRODUCTS**

COMMERCIAL WOOD FRAMES

SOLID: OAK, MAPLE, CHERRY, SOFTWOODS, AND MORE

WE OFFER SIZES RANGING FROM 1/6 X 6/8 TO 4/0 X 9/0 WITH JAMB DEPTHS OF RANGING FROM 3" TO 12". SPECIAL SIZES AVAILABLE UPON REQUEST.

- ALSO AVAILABLE PREFINISHED!



A & F ALSO HAS FIVE OTHER DIVISIONS!



HOLLOW METAL



PREFINISHING



WOOD DOORS



POCKET FRAMES

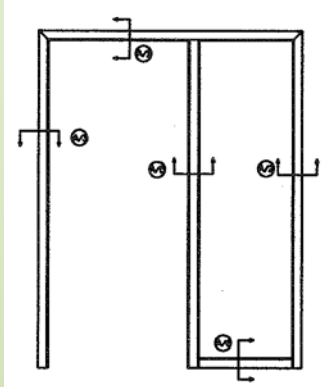


COMMERCIAL
 HARDWARE

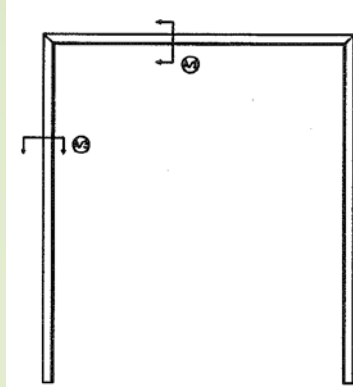
A & F WOOD PRODUCTS

WE HAVE MANY WOOD FRAME OPTIONS FOR WHAT YOU NEED

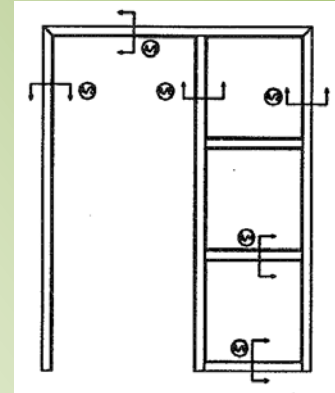
FULL SIDELITE DETAIL



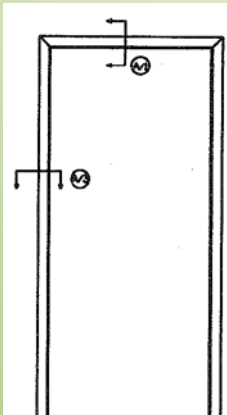
PAIRED FRAME DETAIL



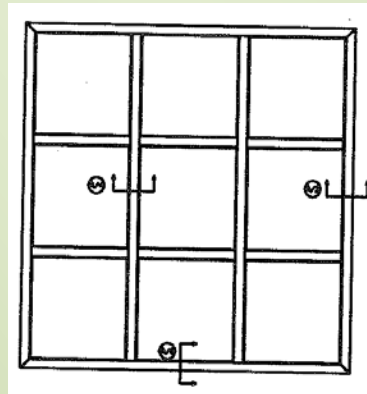
SINGLE WITH TRIPLE
SIDELITE DETAIL



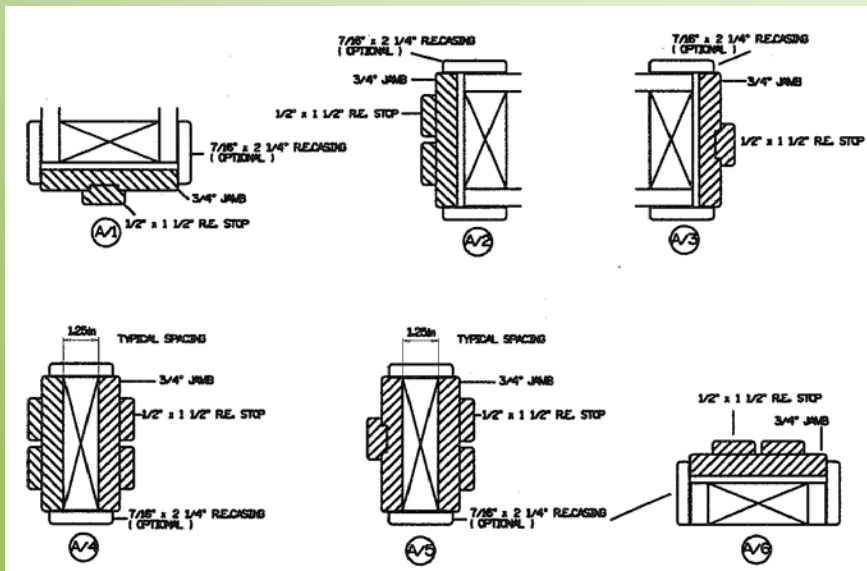
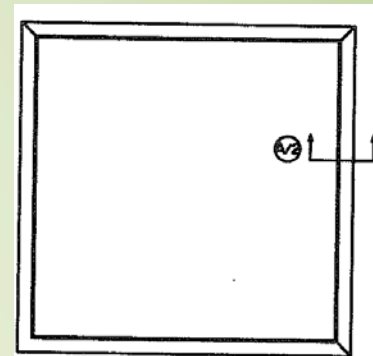
SINGLE FRAME DETAIL



9 LITE BORROW LITE DETAIL



4 X 4 FRAME DETAIL



7/01/2010