



A & F WOOD PRODUCTS, INC.

5665 Sterling Drive Howell, MI 48843

Phone: 517.545.5811 Fax: 517.545.5633 Toll Free: 800.367.3293

www.afwood.com

REPLACE EXISTING DOOR

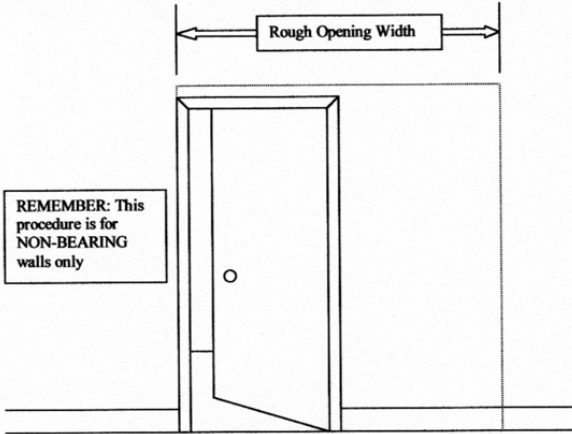
Step 1. Pry the old door frame away from the wall-framing stud. You may need a pry bar and mini-hacksaw. **REMEMBER:** This procedure is for Non-bearing walls only.

Step 2. Remove the drywall on both sides of the wall to expose the studs. Cut the drywall tape where the ceiling and wall meet and in the corner.

Step 3. Knock the wall studs out of place with a 3-lb. Maul. The nails will bend when you hit the studs. Remove the floor plate too.

Step 4. Install the new header. The Rough opening dimensions and the size of the header should be given in your frame kit instructions.

REMEMBER: This procedure is for NON-BEARING walls only



Step 5. Assemble and install the Pocket door frame kit.

Step 6. Insert the rollers into the roller track header. The door then hangs on the rollers from the roller brackets that you attach to the top edge of the door.

Step 7. Adjust the door as needed to make sure its edge is flush with the jamb. An adjustment tool (wrench) is included with the kit.

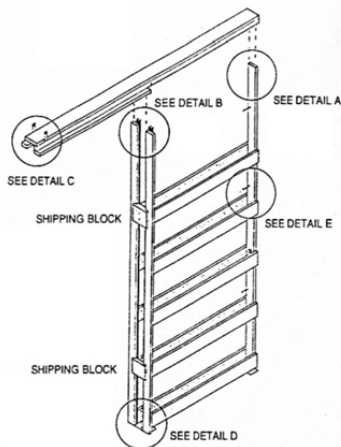
Step 8. Hang the new drywall on both sides of the new opening. Cut the opening for the door after you hang the drywall.

NOTE: Pocket area should be free of electrical, plumbing and heating/cooling ducts.

Step 9. Attach one side of the stop molding with wood screws. Nail the other side's stop molding to the new wood header.

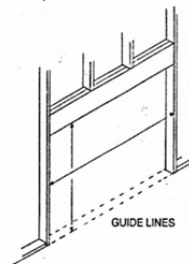
Step 10. Install the new door casing. Countersink the nailheads with a nail set. Fill the nailheads holes with wood putty and then paint the casing.

Step 11. Once installed, a pocket door looks like any other interior door.

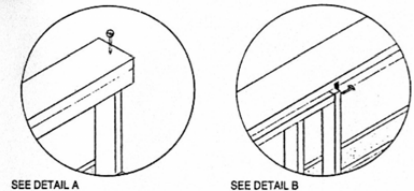


STEP 1
FRAME THE ROUGH OPENING - From Finish floor to rough header, the opening (for a 6' - 8' door) should be a minimum of 84" high. For width multiply door size by two and add 2".

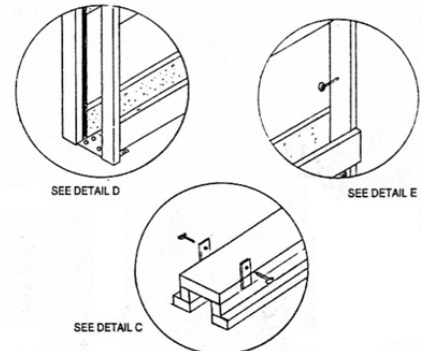
EXAMPLE: For a 2'-6" door, the rough opening width is $(30" \times 2) + 2 = 62"$.



STEP 2
ATTACH HEADER TO POCKET FRAME - Slip thin end of header over 2" back of box frame. (see detail A) Then slip steel into slot of header. (see detail B) Nail vertical split jambs to split jambs on header, then nail header to the back of box frame.

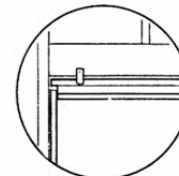


STEP 3
NAIL FRAME TO ROUGH OPENING - Shim until jambs are perfectly vertical and track is absolutely level. (Door will not stay in position if track is not level.) Then:
A.) Nail header to rough header through Metal Ties. (see detail C.)
B.) Nail Metal Floor Plates to the floor. (see detail D.)
C.) Nail back end into stud. (see detail E.)



STEP 4
INSTALL FACE JAMB - Shim Face Jamb tight to split jamb on header and plumb. Nail into position.

Note: Face jamb may be installed before or after wall covering is applied.



STEP 5
REMOVE SHIPPING BLOCK - Remove shipping blocks after wall covering is applied.



#1750 SERIES
POCKET DOOR FRAME
INSTRUCTIONS