



A & F WOOD PRODUCTS, INC.

5665 Sterling Drive Howell, MI 48843
 Phone: 517.545.5811 Fax: 517.545.5633 Toll Free: 800.367.3293
 www.afwood.com

Bypass Door Installation Instructions For Doors 150/250 lbs.

This package contains all the necessary hardware components for complete installation of your sliding (Bi-Pass) Heavy Duty Door

Set Contents

- Aluminum Track, Spacers
- Snap-in Hangers
- Snap in door Plates
- Floor Guide
 - Fasteners
 - Wrench

Facia option not included.

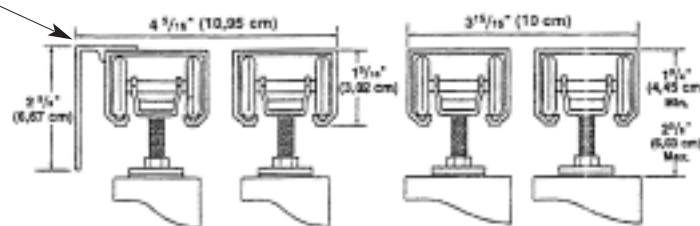


Figure #1

Headroom Details

Door Height= 3" less than the finished opening.

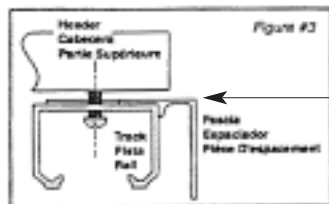
How To Install

(Read all steps prior to installation)

Step 1

Insert (2) Hangers per track. Clip Track units together using Track Spacers – one at each ed and one in the middle for Track 72" and over. See Figure 2.

Position Track into opening. Pre-drill 3/32" Pilot Holes, fasten with screws provided. Secure all Screws in Track and remove plastic Track Spacers.



Facia option not included.

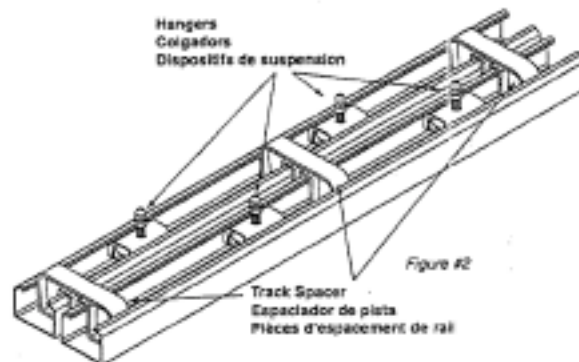


Figure #2



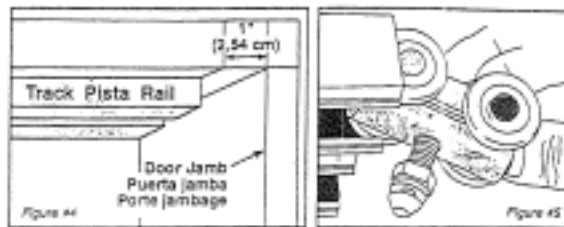
A & F WOOD PRODUCTS, INC.

5665 Sterling Drive Howell, MI 48843
 Phone: 517.545.5811 Fax: 517.545.5633 Toll Free: 800.367.3293
 www.afwood.com

Bypass Door Installation Instructions For Doors 150/250 lbs. (cont'd)

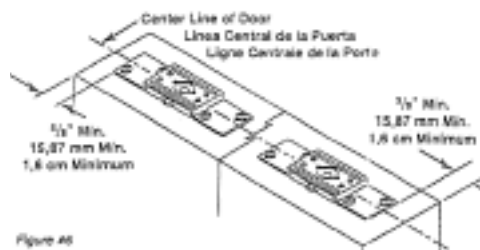
Step 2 (Optional)

For easy access for hangers, same as Step #1 except Cut Track 1" less than finished opening and install Track to Header with 1" clearance at one Jamb.
 See Figure #4 and #5. Do Not Cut Fascia.



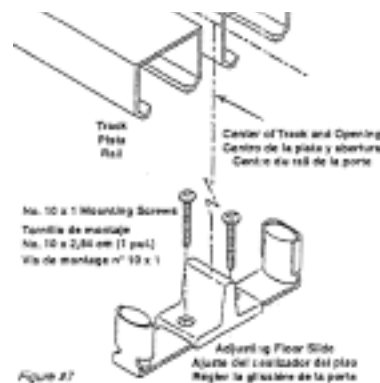
Step 3

Position Hanger Plates so edge of Hanger Plates are minimum of 5/8" from edge of door. Pre-drill 3/32" Pilot Holes. Screw Hanger Plates to top of door along center line using #8 x 1" Pan Head Screws provided. See Figure #6



Step 4

Install Floor Guide in the center of the opening plumb with center of the Track choosing hole combinations to set spaces for 1 3/8" or 1 3/4" doors.



Step 5

Install Door Hangers, lift door in the upward motion, snapping the post in Hanger Plate. Turn the Post to adjust vertically for height and plumb using Wrench provided. (Do Not unscrew Post from Hanger). To remove door, activate label in direction of white arrow with a Flute back Screw Driver as shown. See figure 8.

