



A & F WOOD PRODUCTS, INC.

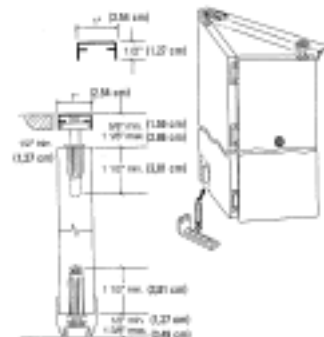
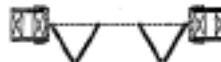
5665 Sterling Drive Howell, MI 48843
 Phone: 517.545.5811 Fax: 517.545.5633 Toll Free: 800.367.3293
 www.afwood.com

Bifold Track & Hardware Standard 30 lbs. Specifications

2 Door System



4 Door System



30 lb. Bifold Panels

- For installation of 2 or 4, 7/8" to 1 3/8" thick panels weighing up to 30 lbs. each
- Spring loaded top pivot and roller guide for easy installation
- Durable pre-painted track
- All metal components galvanized against corrosion
- Permanently lubricated roller guide
- Panel width equals known finished opening width divided by number of panels, less 1/4"
- Opening Width equals known finished panel width plus 1/4" multiplied by number of panels
- Door Height equals 1 5/8" less than finished opening height
- BF30, BLC30 conforms to ANSI A156.14 type D8622
- Cross Reference: Stanley 2800/2900 Series, Cox 43/48, Crowder CF-100, Grant 2600 Series, Henderson B Series, Johnson 1800, Sterling 9000

Standard grade bifold hardware system designed for lighter weight doors. White pre-finished track to guide door through opening. Use with top pivot brackets on door panel. The Bottom Pivot provides vertical adjustment of doors. Slips into jamb brack at floor level and can be moved horizontally. The Guide Wheel provides door movement on the track and is spring loaded. Snuggers holds the doors snug for two or four panel doors. The Jamb Bracket is moves easily for horizontal adjustments. The Almond Plastic knob is used on the tow or four panel doors. Is easily used to open and close doors.

2 Panel Complete Packaged Contractor Sets

Our doors are pre-sized to fit in standard wood and metal openings.
 Example: 48" x 84" Opening = (4 - Panels @ 11 3/4" x 82 1/2")
 One set consists of: 1- Track, 1- Roller, 1- Top Pivot, 1 Pivot Lock, 1-Botom Pivot, 1- Floor Pivot Bracket, 1 Non-Mortise Lift-off Hinge, 1 four Door Aligner, Knob, Adjustment Wrench



Top Pivot



Bottom Pivot



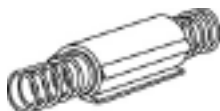
Guide Wheel



Plastic Knob



Snuggers



Jamb Bracket



Aligners

